



INSTALLATION THEATRICAL ENGINEERING



**THE NEXT GENERATION
OF STAGE LIGHTING INFRASTRUCTURE**

LX ULTRA LIGHTING BAR
AUSTRALIAN MADE

INTRODUCTION

After 40 years working within the theatre lighting industry, ITE have had the opportunity to speak with thousands of users of theatre equipment. Based on this feedback, coupled with our collective 100+ years of industry knowledge, ITE created the Australian benchmark Theatrical Lighting Bar.

The ITE LX Ultra.

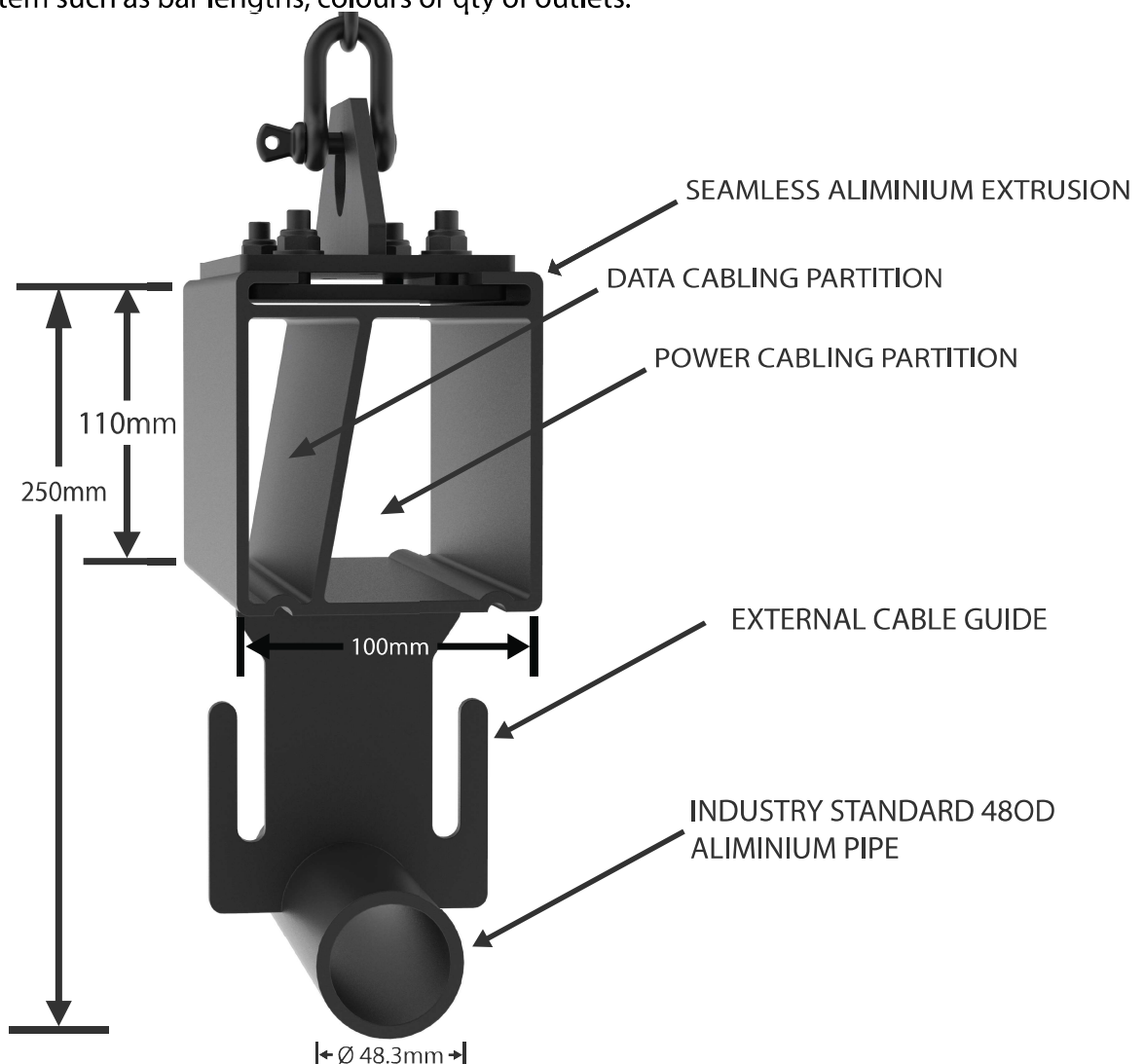
The ITE LX Ultra is purpose built to suit industry standard light fixtures and features separate power and data partitions along the full length of the bar to prevent inductive noise.

The bar is lightweight at only 8kg/m (without cabling) but is reliably capable of working load limits up to 500kg with a working load of 75kg per metre. The bar can also be modified to form a truss for projects requiring heavier loads up to 1,000kg.

External cable guides allow for tidy cable management, eliminating the need for users to tape cabling to the pipe. Bars can also be joined for added adaptability.

The bar can be statically hung or easily flown via electric hoists. Due to the bars unrivalled strength, it can be suspended via two chain hoists with a span of 7m and still provide working loads up to 500kg at a cheaper cost in comparison to multi-drop hoists.

The batten is manufactured by ITE in Australia giving you the flexibility to customize any aspect of the system such as bar lengths, colours, or qty of outlets.



CONSTRUCTION & CERTIFICATION

The LX Ultra is custom made in ITE's Melbourne workshop and features Australian made materials.

DEFLECTIONS & ENGINEERING

DEFLECTION (UDL)		
SPAN	W.L.L	DEFLECTION
mm	kg	mm
3000	500	1.58
3500	500	2.78
4000	500	7.96
4500	500	13.7
5000	500	20.1
5500	350	21.6
6000	350	24.8
6500	350	27.2
7000	350	29.9

LOAD TABLE GUIDELINES

Deflections are based on proof testing with two pick-ups 1m in from each end. For configurations such as Counterweight Systems with multi-drops, deflections will decrease.

The self-weight of the bar is already taken into account.

The ITE LX Ultra is capable of spans in excess of 7m and loads exceeding 500kg subject to project specific engineering.

POWER, DATA & DMX



The ITE LX Ultra can feature any quantity of power, data or DMX including standard 5-pin DMX, 10A unswitched power and RJ-45 Data.

Nominally, power outlets are evenly spaced at 1m centres and data/DMX at 3m centres however quantities and spacing is easily customizable.

Lighting Bar lengths can be joined to equal any length up to 20m.

WARRANTY

2 Years Standard Parts & Labour

STANDARDS & COMPLIANCE

Design and testing complies with AS4991-2004 - Lifting Beam

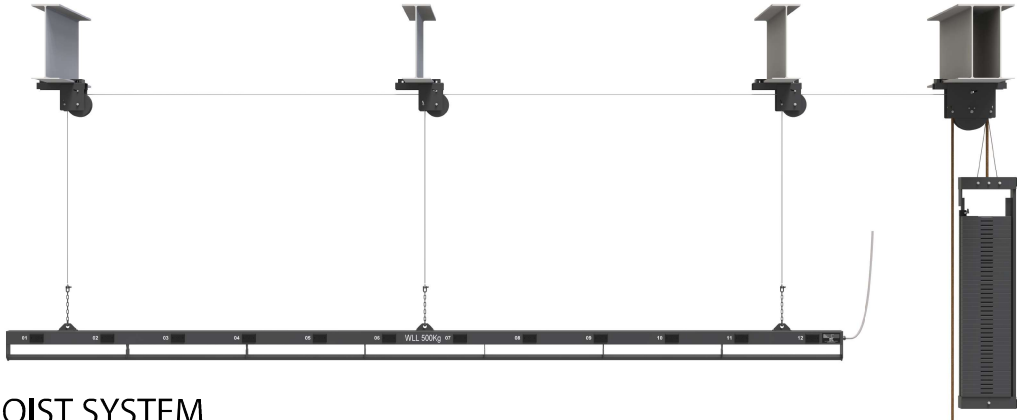
Construction materials complies with AS/NZS 3678, AS/NZS 3679, AS1734, AS1866, AS1111.1

Fabrication of bars and associated equipment complies with AS1554.1, AS1665, AS4506

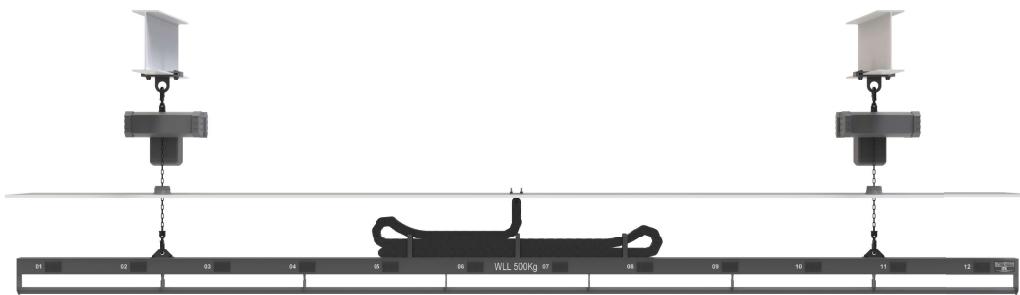
Wiring of bars and associated equipment complies with AS/NZS3000.2018

SUSPENSION CONFIGURATIONS

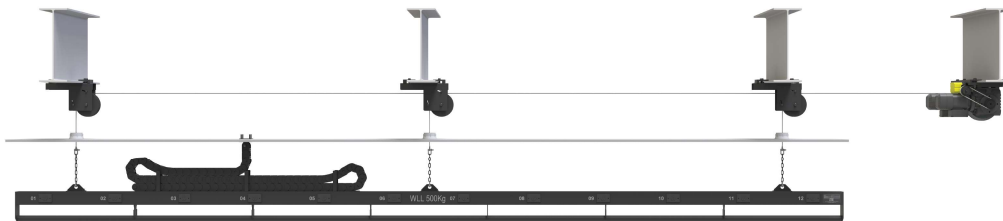
COUNTERWEIGHT SYSTEM



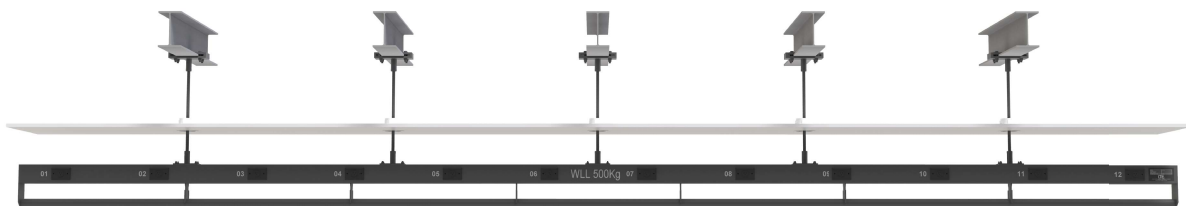
CHAIN HOIST SYSTEM



PILE WINDING SYSTEM



FIXED / DEAD HUNG



SUSPENSION BRACKETS

Heavy Duty Lug Assembly



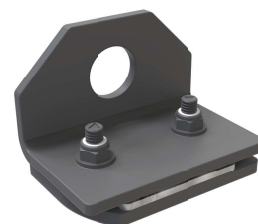
Working Load Limit: 400kg

CWS Lug Assembly



Working Load Limit: 400kg

Light Duty Lug Assembly



Working Load Limit: 150kg

VENUES

The ITE LX Ultra is featured in hundreds of venues throughout Australia ranging from small drama spaces to award winning, state of the art Performance Venues.

Huntingtower School PAC, VIC

Chevalier College, NSW

Melville SHS, WA

Caloundra PAC, QLD

Fortress E-Sports, VIC

Kilbreda College, VIC

Phoenix College, VIC

Australian Broadcasting Corporation, VIC

Capitol and Ulumbarra Theatres, VIC

Ocean Reef SHS, WA

Viewbank College, VIC

Thomas Carr College, VIC

Northcote HS, VIC

North Melbourne Town Hall, VIC

Gasworks Arts Park, VIC

Australia for Christ Church, ViC

Melbourne Ladies College, VIC

RMIT University Theatre, VIC

Richmond Football Club, VIC

Melbourne University, VIC

Thornbury HS, VIC

State Library of Victoria, VIC

Caroline Chisolm College, VIC

Woodmans Hill SC, VIC

Mt Rowan SC, VIC

Mansfield Secondary College, VIC

Kingston Arts Centre, VIC

Her Majesty's Theatre, VIC

Forum Theatre, VIC

Regent Theatre, VIC

Grand Hyatt Hotel, VIC

Festival Hall, VIC

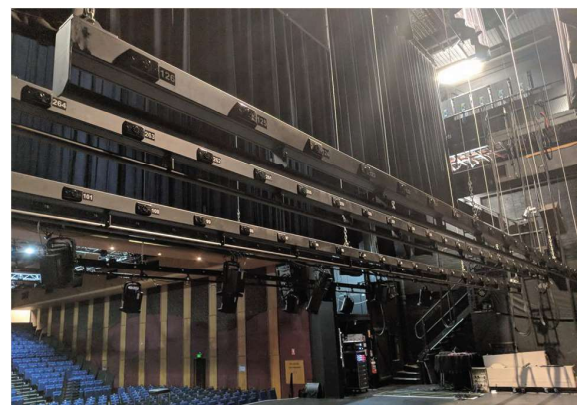
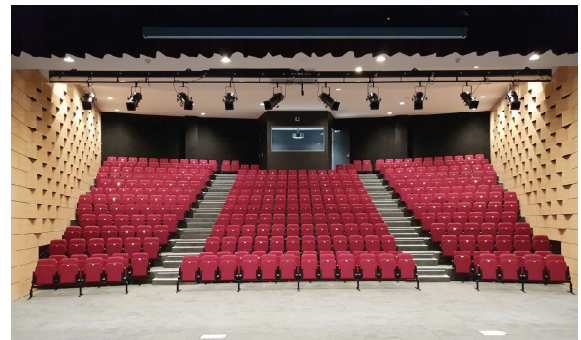
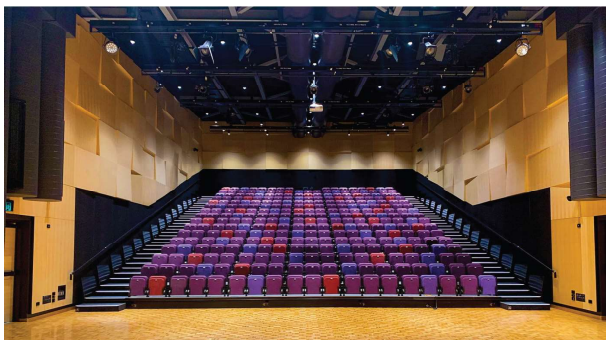
Ararat Arts Precinct, VIC

Acquinas College, VIC

St Mary's College, WA

Glen Eira Town Hall, VIC

An extensive list of projects completed by ITE can be found on our website at www.ite.net.au





INSTALLATION THEATRICAL ENGINEERING



CONTACT US



816 Lorimer Street Port Melbourne VIC 3207



+61 3 9646 0822



www.ite.net.au



info@ite.net.au